



**PRAKASH**

Worldwide

Quality, Reliability, Life

## Centrifugal Stainless Steel Pump

SS316



## Application

This series is suitable for transporting clean media which are non-aggressive to stainless steel 304 or 316l

- Water Supply System
- Pressure boiler feeding
- Pure water treating systems
- Refining & chemical industries
- Washing & Sprinkling



## Features:

- Compact & nice in appearance while being efficient and low in voice. Our pumps have reliable seal which results in case of maintenance & use.



# Technical Data

## Pump

- Suction Size : G1 1/4
- Discharge Size : G1
- Max. Working Pressure : 8 Bar
- Liquid Temp. : -15°C – 80°C
- To avoid overload & danger the pump should be operated within the performance ranges

## Motor

- T.E.F.C. Continuous duty insulation class : F or B.
- Protection Class : IP 55
- Ambient Temperature range : -15°C- 40°C
- Altitude : < 100m
- Single Phase Version : 220V, 50Hz, 2900rpm
- Three Phase Version : 380V, 50Hz, 2900 rpm

## Material

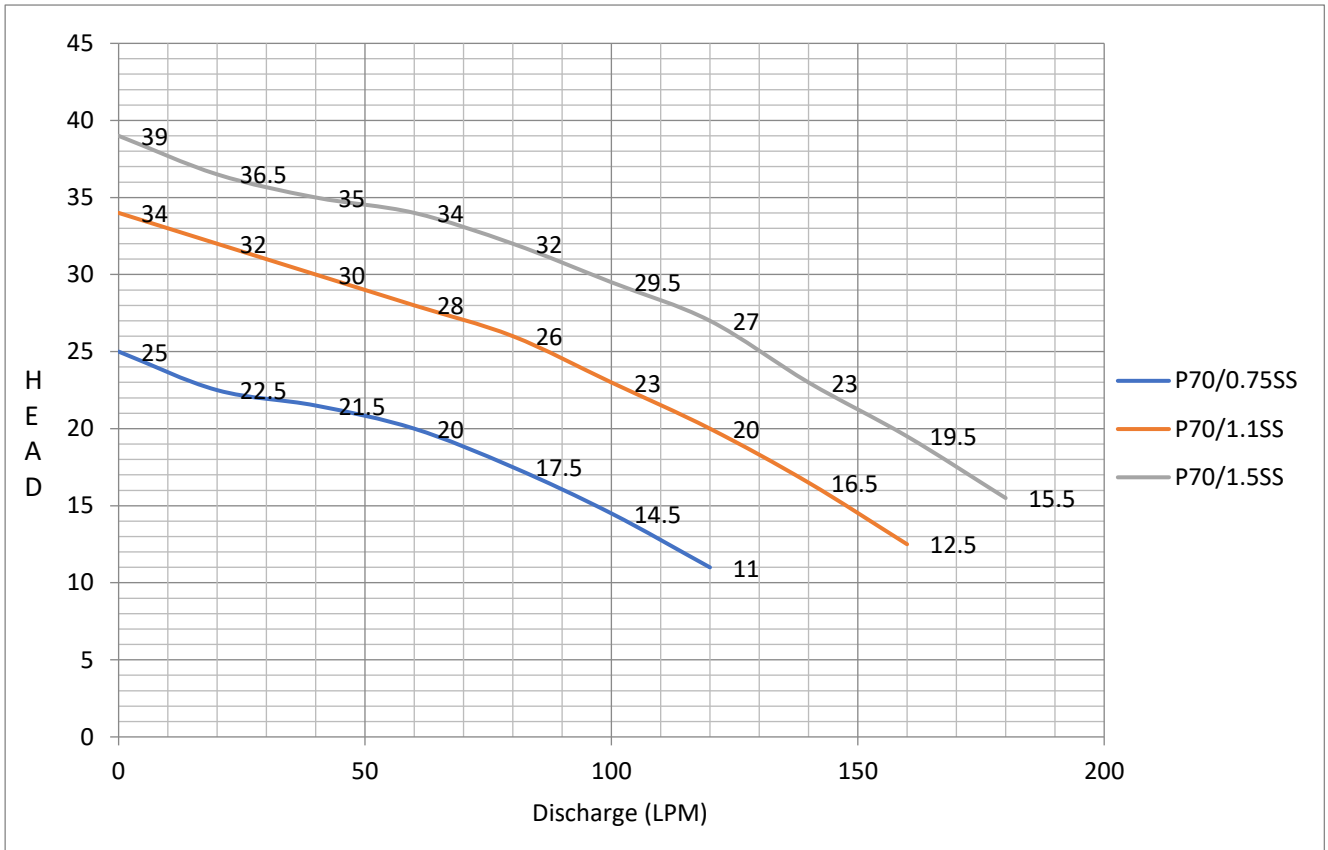
- Pump impeller, Casing & Back Cover : S.S.316
- Shaft : # 45
- Bearing : SKF
- Mechanical Seal : SIC/SIC/VITON/S.S. 304

**Note:** In Single Phase Motor Thermal Overload Protector (T.O.P.) is available. Three phase motor Thermal overload protector available upon request.

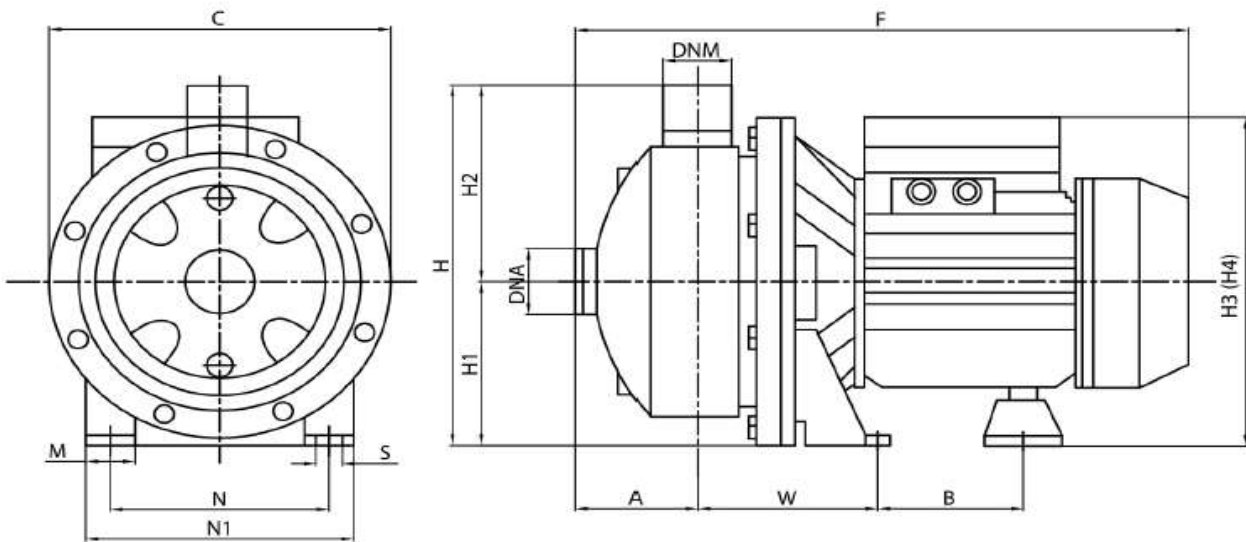
## Performance Chart

Model	Power		Flow	US GPM	0	5	11	16	21	26	32	37	42	48
	KW	HP		M <sup>3</sup> /H	0	1.2	2.4	3.6	4.8	6	7.2	8.4	9.6	10.8
				LPM	0	20	40	60	80	100	120	140	160	180
P70/0.75SS	0.75	1.0	Head In meters	25	22.5	21.5	20	17.5	14.5	11				
P70/1.1SS	1.10	1.50		34	32	30	28	26	23	20	16.5	12.5		
P70/1.5SS	1.50	2.0		39	36.5	35	34	32	29.5	27	23	19.5	15.5	

## Performance Curve



## Pump Outline dimension drawing:



## Pump outline dimensions

Model	A	C	F	H	H1	H2	H3	H4	M	N	N1	S	W	B	DNA	DNM
P70/0.75SS	53	213	327	232	108	124	211	210	39	120	160	9	93	76	G1"1/4	G1"
P70/1.1SS	53	213	370	232	108	124	248	222	39	120	160	9	93	82	G1"1/4	G1"
P70/1.5SS	53	235	383	252	120	132	260	234	39	140	180	9	96	90	G1"1/4	G1"

**PRAKASH**

Worldwide



Scan QR Code to Get  
Quotation by Email



Scan QR Code to Get  
Quotation by SMS



Scan QR Code to  
Download e-Catalogue



## Prakash Pump

Naroda Road, Ahmedabad-380025. Gujarat, India

Phone : +919925249371 | Email: info@prakashpump.com | www.prakashpump.com

UAE : 00971 50 6731283 | 00971 37222733

Oman : 00968 95690021 | 00968 26883982